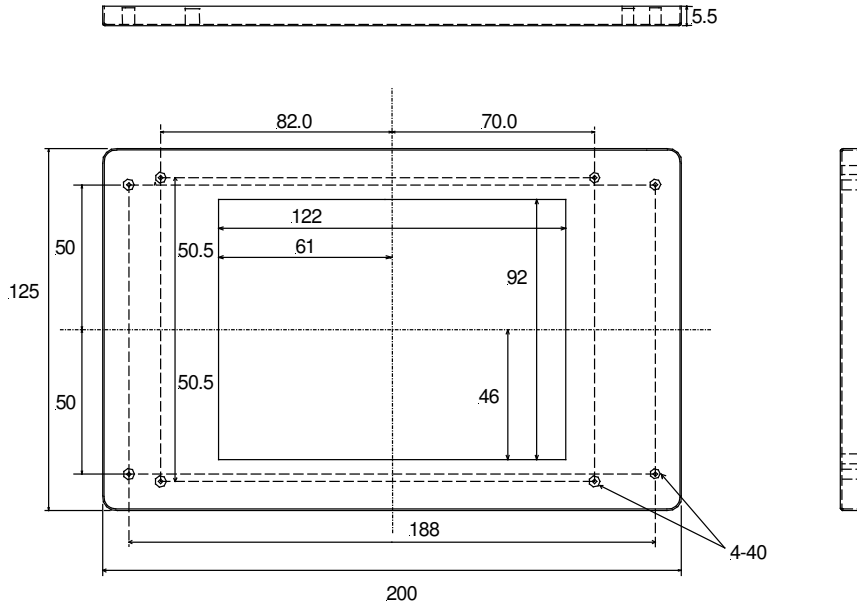


# Amulet BZ-AOB5 Bezel

Use this template ( reverse side ) when installing the bezel & module into a Cabinet, housing, or wall cavity.

Contact [DevSupport@Amulettechnologies.com](mailto:DevSupport@Amulettechnologies.com) for further information



Material : Steel  
Finish : Grey Powder Coat  
Dimensions in mm

The Information contained in this document is proprietary to Amulet Technologies LLC (Amulet). It must not be reproduced, disclosed to any third party, or used for any purpose not authorized by Amulet. Upon Amulet's request, you will return to Amulet all copies of this document.

Rev. A 5-11-05  
0360-0003-01